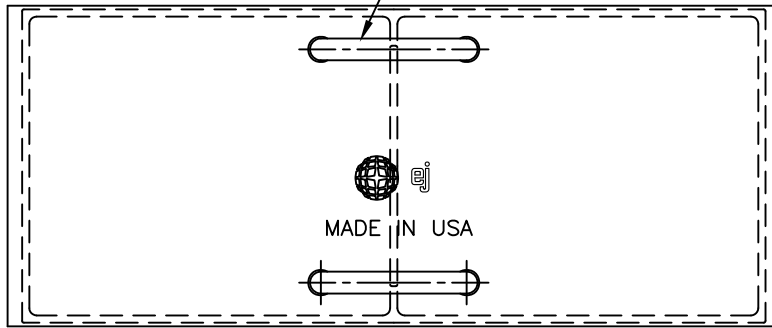


8650A Cover

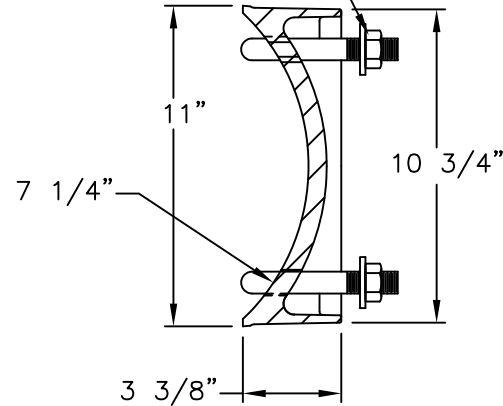


3/4"-10 ZNC NYLOCK HEX NUTS
W/ SS WASHERS (2) PLACES

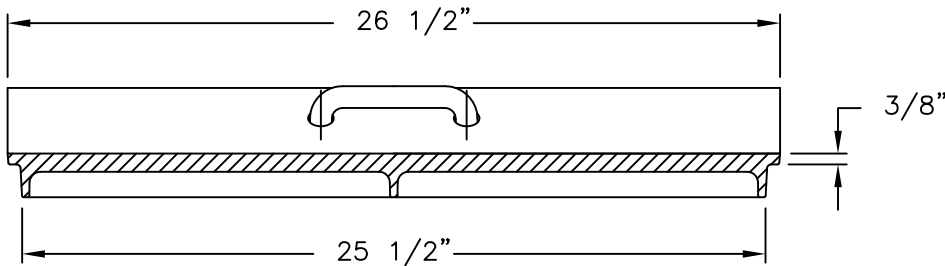
A-242 HANDLES
(2) PLACES



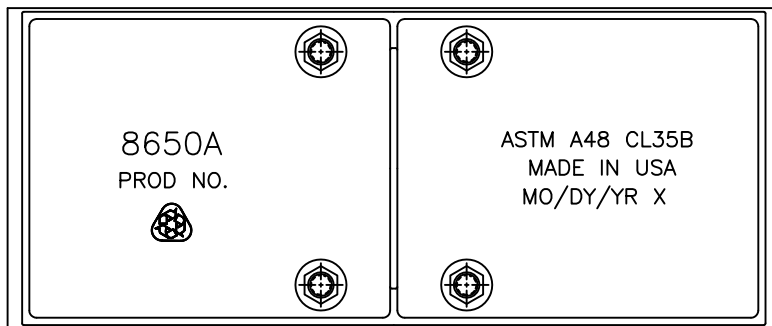
PLAN VIEW



COVER SECTION



COVER SECTION



BOTTOM VIEW

Product Number

00865021

Design Features

- Materials
Gray Iron (CL35B)
- Design Load
Heavy Duty
- Open Area
n/a
- Coating
Undipped
- √ Designates Machined Surface

Certification

- ASTM A48
-
-
- Country of Origin: USA

Drawing Revision

04/04/2006 Designer: DEW
08/12/2017 Revised By: DVD

Disclaimer

Weights (lbs./kg) dimensions (inches/mm) and drawings provided for your guidance. We reserve the right to modify specifications without prior notice.

CONFIDENTIAL: This drawing is the property of EJ GROUP, Inc., and embodies confidential information, registered marks, patents, trade secret information, and/or know how that is the property of EJ GROUP, Inc. Copyright © 2015 EJ GROUP, Inc. All rights reserved.

Contact

800 626 4653
ejco.com