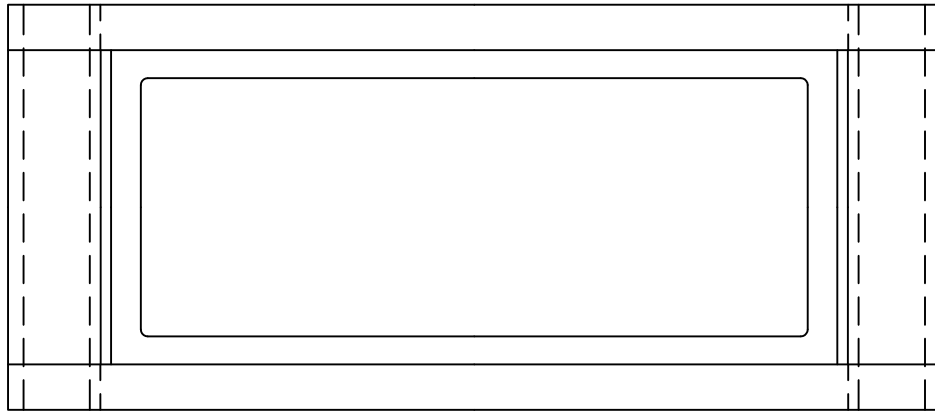
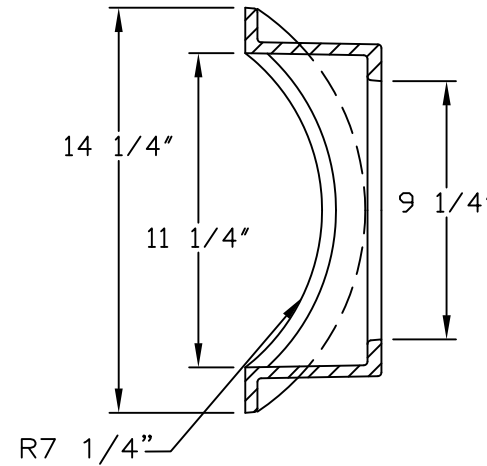


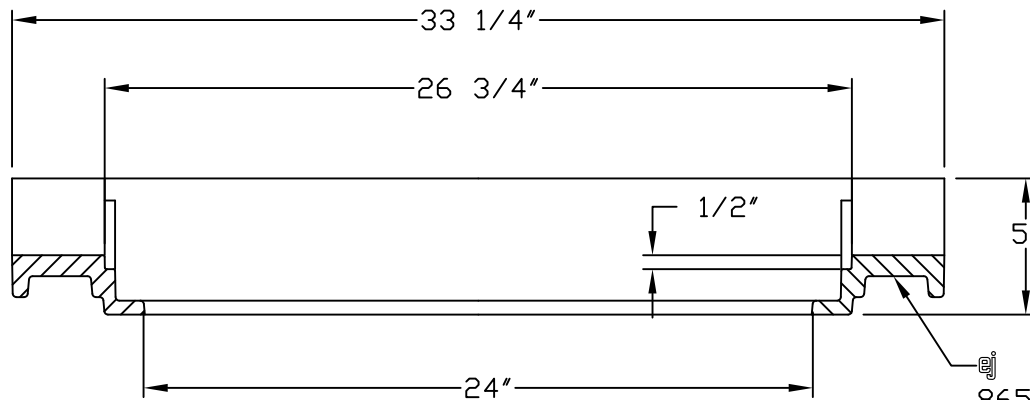
# 8650Z Frame



PLAN VIEW



FRAME SECTION



FRAME SECTION

8650Z  
 PROD NO.  
 MO/DY/YR X  
 ASTM A48 CL35B



**Product Number**

00865010

**Design Features**

- Materials  
   Gray Iron (CL35B)
- Design Load  
   Heavy Duty
- Open Area  
   n/a
- Coating  
   Undipped
- √ Designates Machined Surface

**Certification**

- ASTM A48
- 
- 
- Country of Origin: USA

**Drawing Revision**

09/28/2004 Designer: DEW  
 08/23/2017 Revised By: DVD

**Disclaimer**

Weights (lbs./kg) dimensions (inches/mm) and drawings provided for your guidance. We reserve the right to modify specifications without prior notice.

CONFIDENTIAL: This drawing is the property of EJ GROUP, Inc., and embodies confidential information, registered marks, patents, trade secret information, and/or know how that is the property of EJ GROUP, Inc. Copyright © 2012 EJ GROUP, Inc. All rights reserved.

**Contact**

800 626 4653  
 ejco.com