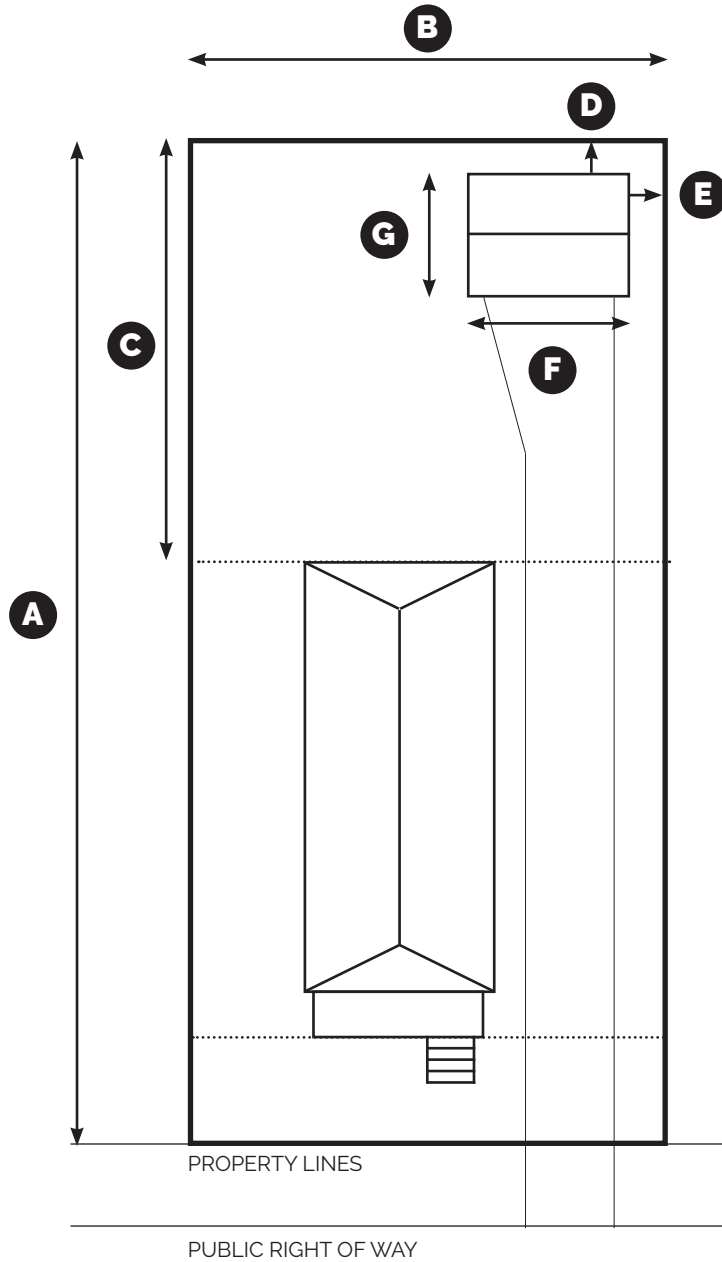


DETACHED GARAGE PLACEMENT PLACEMENT WORKSHEET

PROPERTY ADDRESS: _____



DETACHED GARAGE (IN FEET)

A	LOT DEPTH	_____
B	LOT WIDTH	_____
C	REAR YARD DEPTH	_____
D	REAR SETBACK	_____
E	SIDE SETBACK	_____
F	GARAGE WIDTH	_____
G	GARAGE DEPTH	_____
-	GARAGE AREA (WIDTH X DEPTH)	_____
		SF

DRIVE WAY

REPLACEMENT	Y / N
DRAIN	Y / N

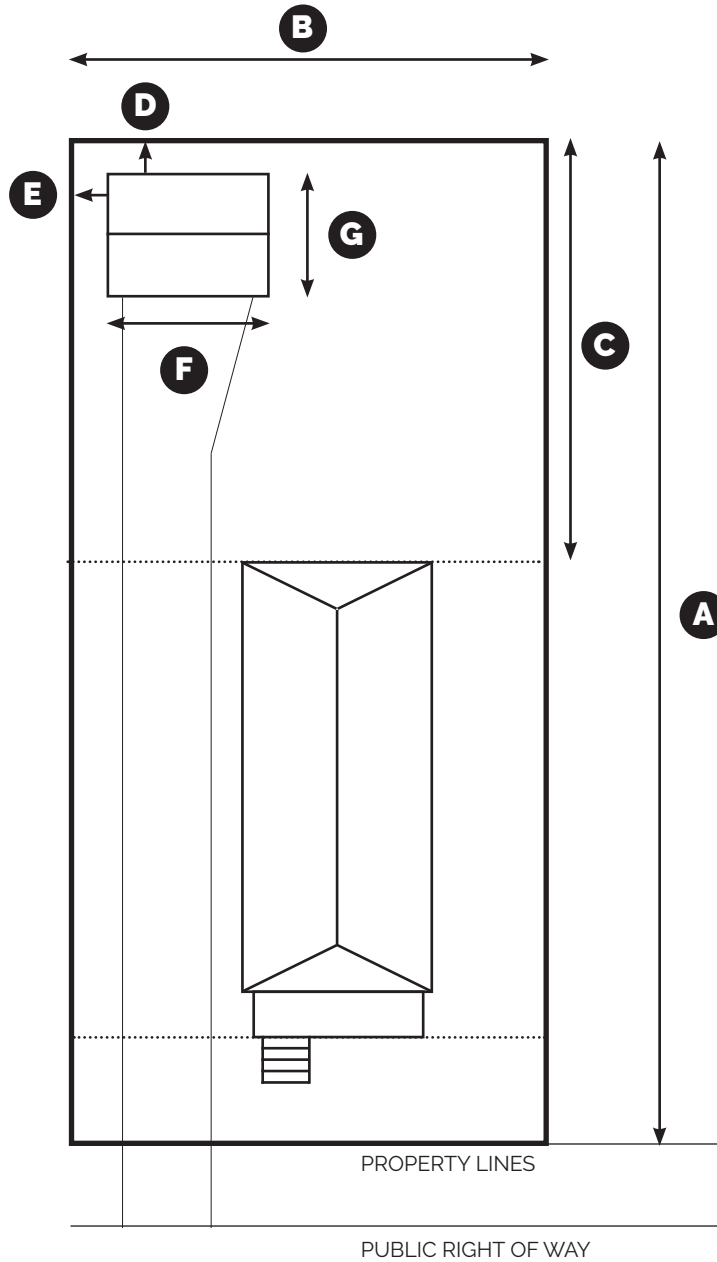
SITE PLAN

STARTING MARCH 01, 2021, A LEGAL BOUNDARY SURVEY IS REQUIRED.

The applicant will need to provide an accurate boundary survey showing property lines and survey pin locations.

DETACHED GARAGE PLACEMENT PLACEMENT WORKSHEET

PROPERTY ADDRESS: _____



DETACHED GARAGE (IN FEET)

A	LOT DEPTH	_____
B	LOT WIDTH	_____
C	REAR YARD DEPTH	_____
D	REAR SETBACK	_____
E	SIDE SETBACK	_____
F	GARAGE WIDTH	_____
G	GARAGE DEPTH	_____
-	GARAGE AREA (WIDTH X DEPTH)	_____
		SF

DRIVE WAY

REPLACEMENT	Y / N
DRAIN	Y / N

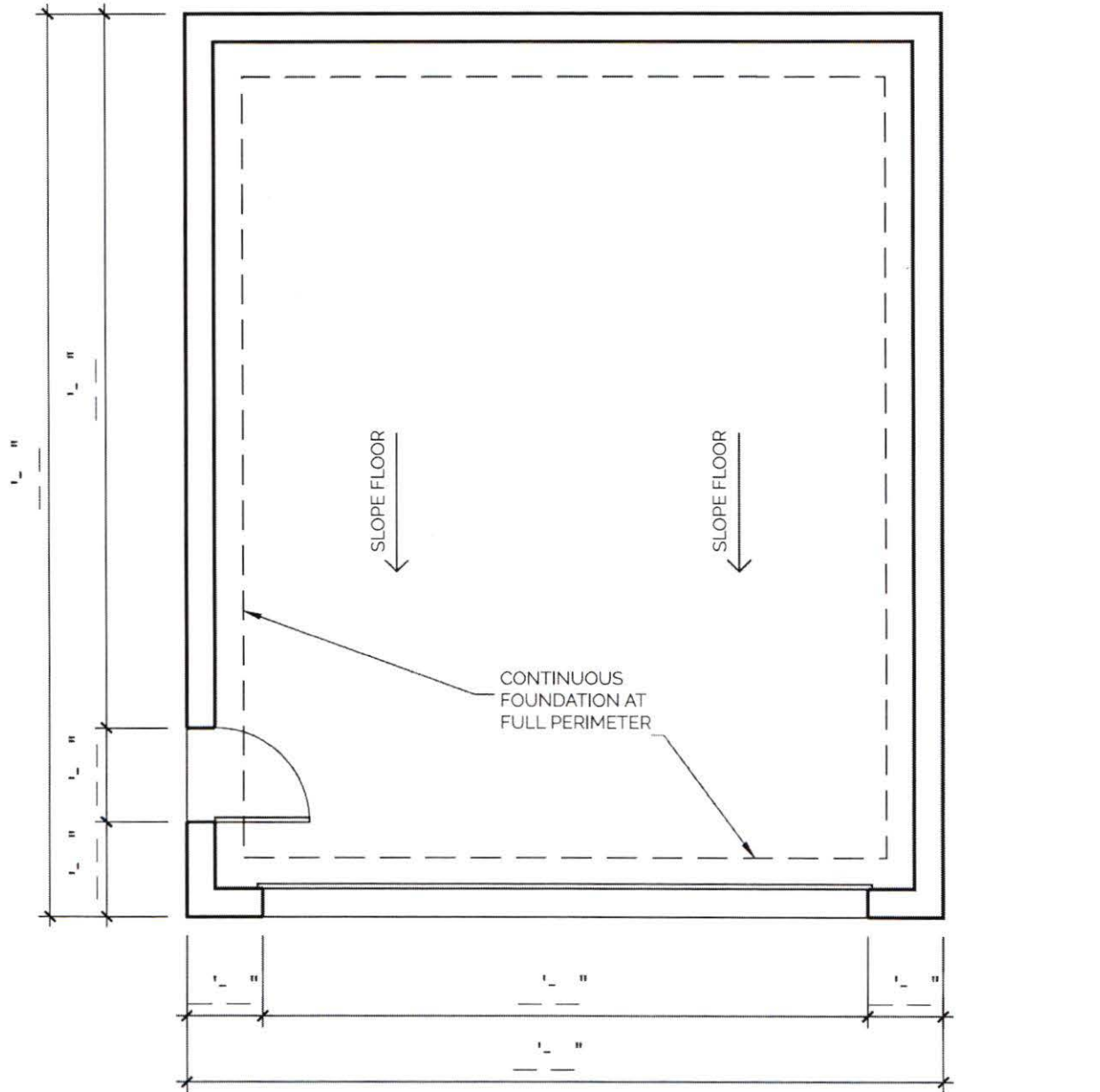
SITE PLAN

STARTING MARCH 01, 2021, A LEGAL BOUNDARY SURVEY IS REQUIRED.

The applicant will need to provide an accurate boundary survey showing property lines and survey pin locations.

**DETACHED GARAGE PROTOTYPE
 FLOOR PLAN (RIGHT-HAND OPTION)**

PROPERTY ADDRESS: _____



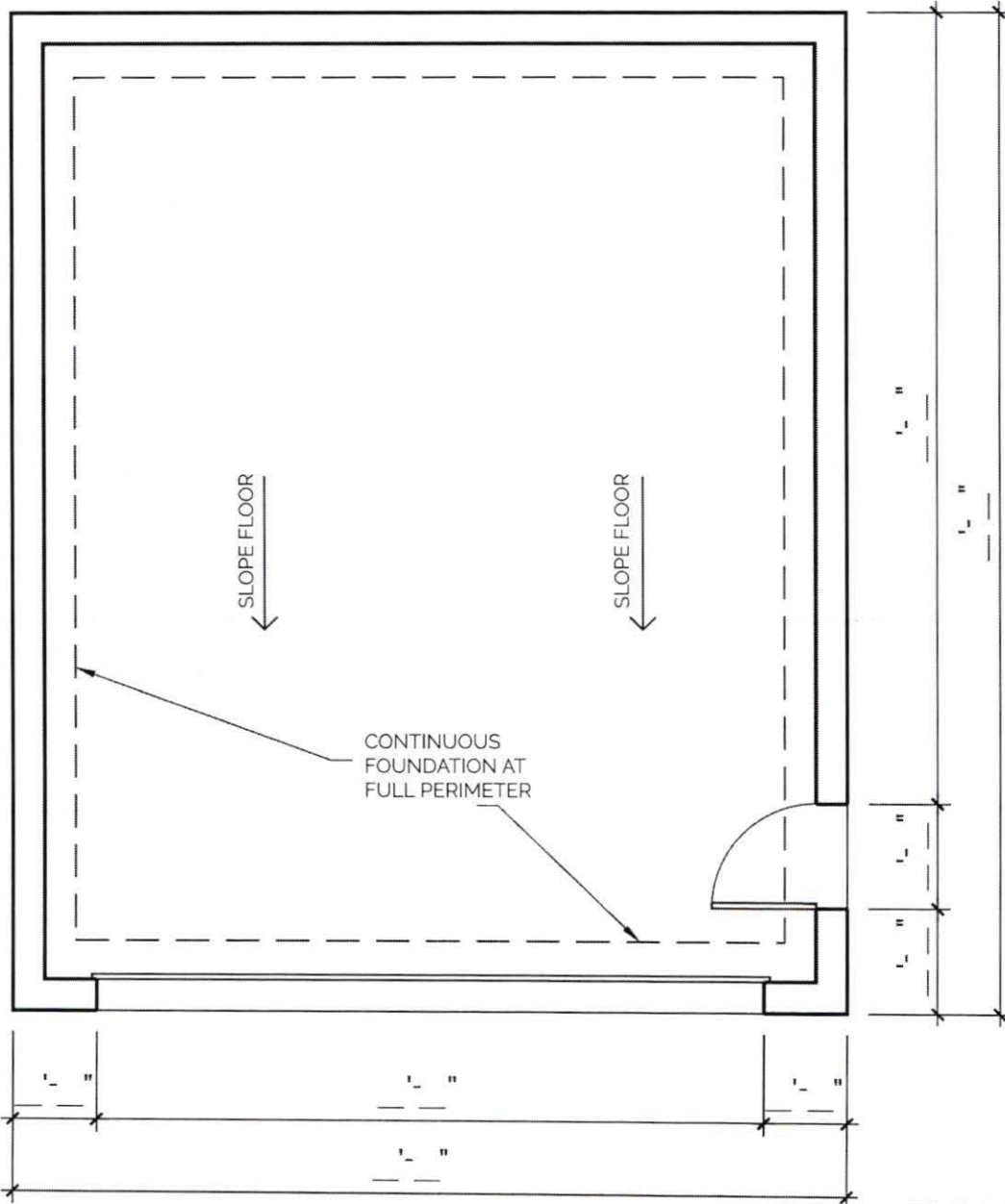
FLOOR PLAN

ELECTRICAL SYMBOL LEGEND

	110V DUPLEX CEILING MOUNTED DOOR OPERATOR RECEPTACLE		LIGHT SWITCH		SUB-PANEL WITH DISCONNECT RATING
	110V GFCI RECEPTACLE		LIGHTS: RECESSED, SURFACE MOUNT, WALL MOUNT		

DETACHED GARAGE PROTOTYPE FLOOR PLAN (LEFT-HAND OPTION)

PROPERTY ADDRESS: _____

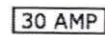


FLOOR PLAN

ELECTRICAL SYMBOL LEGEND

 OHD 110V DUPLEX CEILING MOUNTED
DOOR OPERATOR RECEPTACLE

 LIGHT SWITCH

 30 AMP

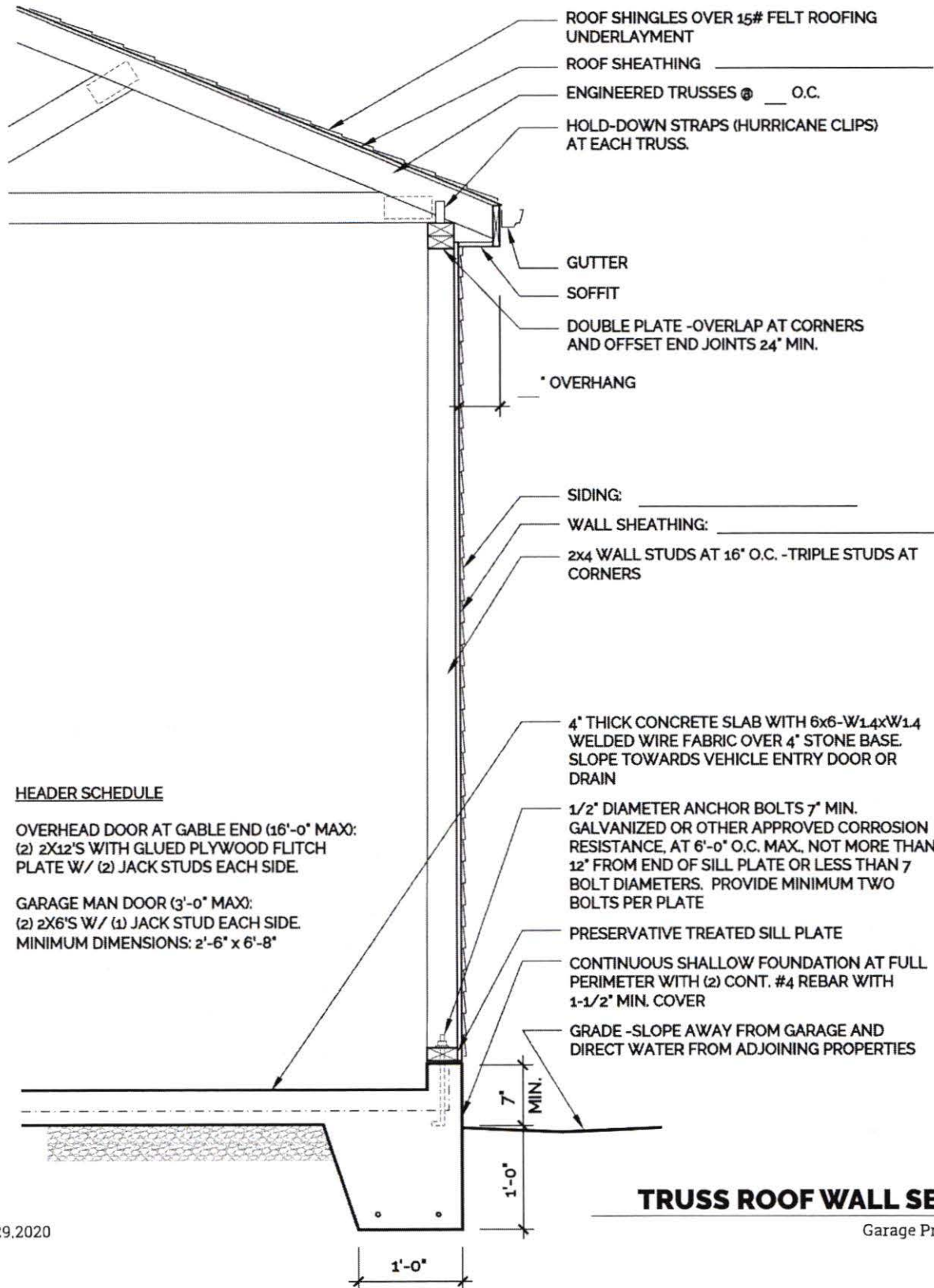
 SUB-PANEL WITH
DISCONNECT RATING

 GF 110V GFCI RECEPTACLE

 LIGHTS: RECESSED,
SURFACE MOUNT,
WALL MOUNT

DETACHED GARAGE PROTOTYPE SECTIONS

PROPERTY ADDRESS: _____



HEADER SCHEDULE

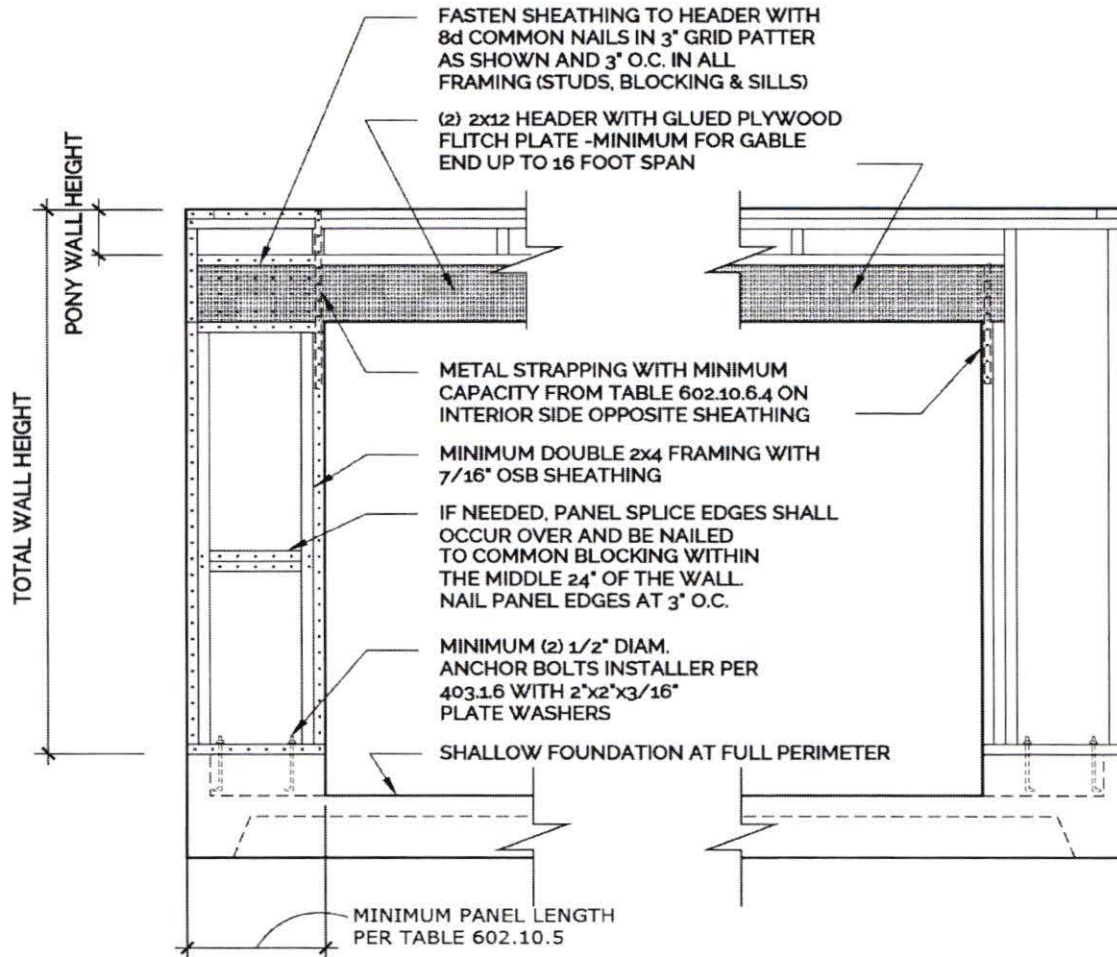
OVERHEAD DOOR AT GABLE END (16'-0" MAX):
 (2) 2X12'S WITH GLUED PLYWOOD FLITCH PLATE W/ (2) JACK STUDS EACH SIDE.

GARAGE MAN DOOR (3'-0" MAX):
 (2) 2X6'S W/ (1) JACK STUD EACH SIDE.
 MINIMUM DIMENSIONS: 2'-6" x 6'-8"

TRUSS ROOF WALL SECTION

DETACHED GARAGE PROTOTYPE PORTAL FRAME GARAGE (PFG) REQUIREMENTS

PROPERTY ADDRESS: _____



RCO TABLE 602.10.5
 PFG (PORTAL FRAME AT GARAGE) METHOD
 MINIMUM LENGTH OF BRACED WALL PANELS

TOTAL WALL HEIGHT	MINIMUM LENGTH
8 ft	24"
9 ft	27"
10 ft	30"

RCO TABLE 602.10.6.4 [ABBREVIATED]
 TENSION STRAP CAPACITY REQUIRED FOR RESISTING WIND PRESSURES
 PERPENDICULAR TO METHOD PFH, PFG AND CS-PF BRACED WALL PANELS

2x4 STUD WALLS, 10 ft OR LESS AT 90 mph BASIC WIND SPEED, EXPOSURE B		
MAXIMUM PONY WALL HEIGHT (ft)	MAXIMUM TOTAL WALL HEIGHT (ft)	TENSION STRAP CAPACITY (lb)
0	18	1000
	9	1000
	16	1000
1	18	1200
	9	1000
	16	2025
2	18	2400