

PLAN VIEW

NOTES:

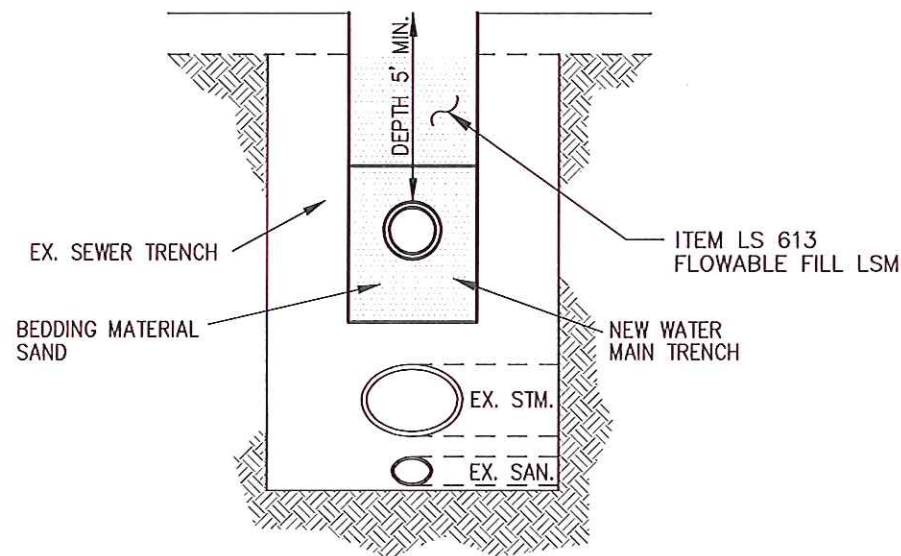
A MINIMUM OF 4-FOOT HORIZONTAL SEPARATION (MEASURED OUT-TO-OUT CLEAR) BETWEEN THE PROPOSED WATERLINE AND THE STORM SEWER WILL BE MAINTAINED.

A MINIMUM OF 12-INCH VERTICAL CLEARANCE (MEASURED OUT-TO-OUT CLEAR) BETWEEN THE PROPOSED WATERLINE AND THE STORM SEWER WILL BE MAINTAINED.

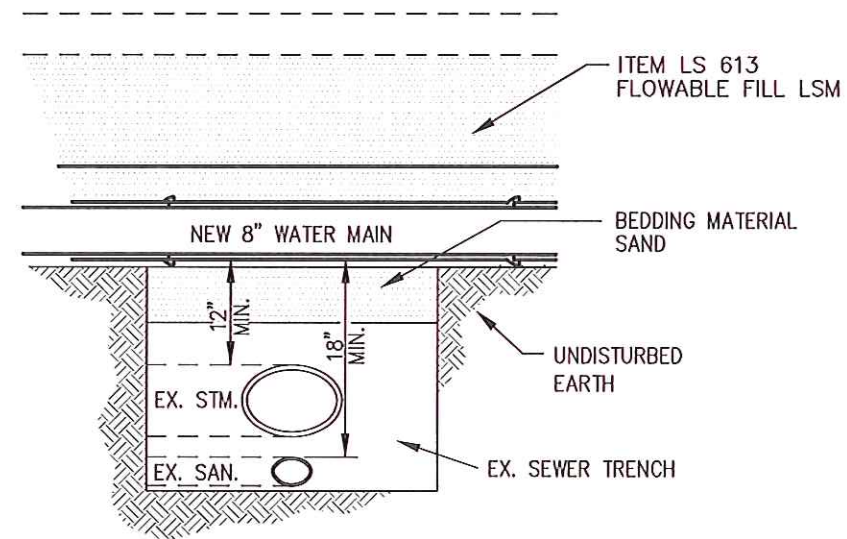
A MINIMUM OF 10-FOOT HORIZONTAL SEPARATION (MEASURED OUT-TO-OUT CLEAR) BETWEEN THE PROPOSED WATERLINE AND THE SANITARY SEWER WILL BE MAINTAINED.

A MINIMUM OF 18-INCH VERTICAL CLEARANCE (MEASURED OUT-TO-OUT CLEAR) BETWEEN THE PROPOSED WATERLINE AND THE SANITARY SEWER WILL BE MAINTAINED. THE PROPOSED FACILITIES WILL BE MAINTAINED.

A MINIMUM 35 PSI PRESSURE DELIVERED TO THE CURB STOP DURING NORMAL OPERATING CONDITIONS. BOOSTER PUMPS ARE NOT PERMITTED ON SERVICE CONNECTIONS.



VIEW A-A



VIEW B-B

SEWER CROSSING DETAIL

SCALE: NONE



REVISIONS:	01-31-2014
------------	------------

SCALE:	N.T.S.
--------	--------

STANDARD DRAWING:	WATERMAIN CROSSING SEWER
-------------------	--------------------------

NUMBER:	W-4
---------	-----

1	1
---	---