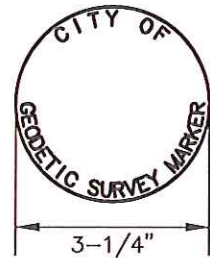
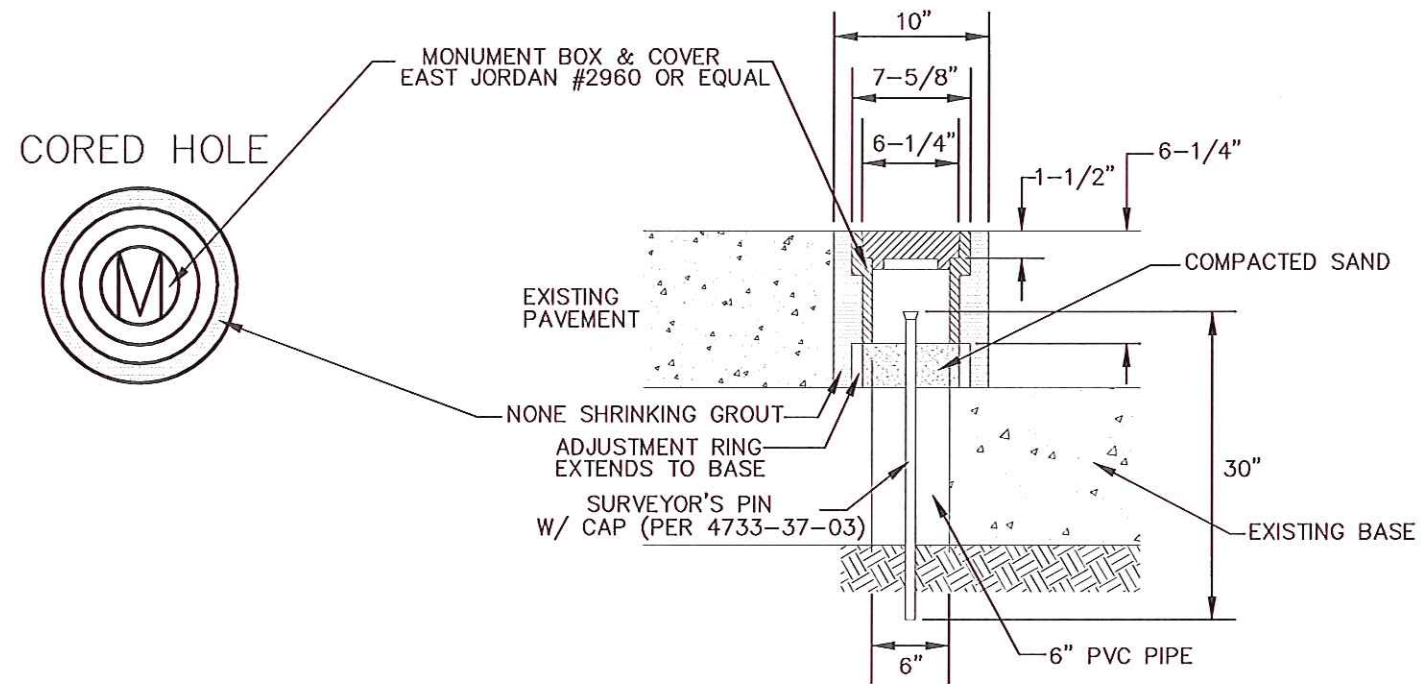


BRONZE CONCRETE
MARKER LAYOUT



CONCRETE GEODETIC
SURVEY MONUMENT

SCALE: NONE



ROADWAY MONUMENT BOX

SCALE: NONE



REVISIONS:
01-31-2014

SCALE:
N.T.S.

STANDARD DRAWING:

SURVEY MONUMENTS

NUMBER:
P-6

1 / 1