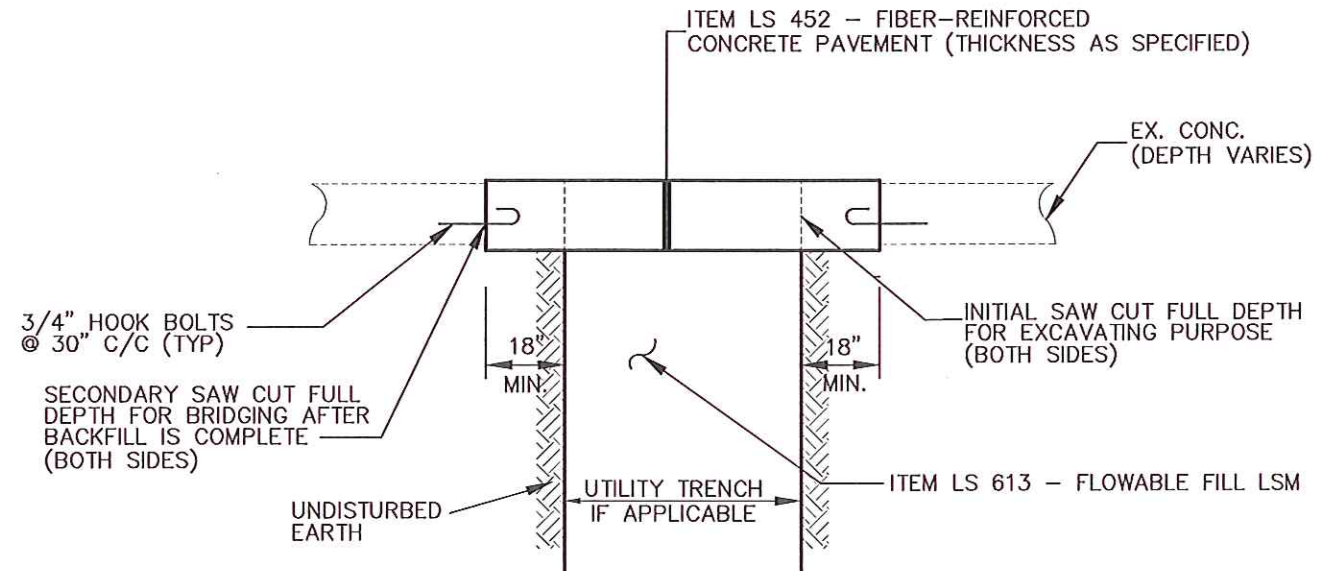
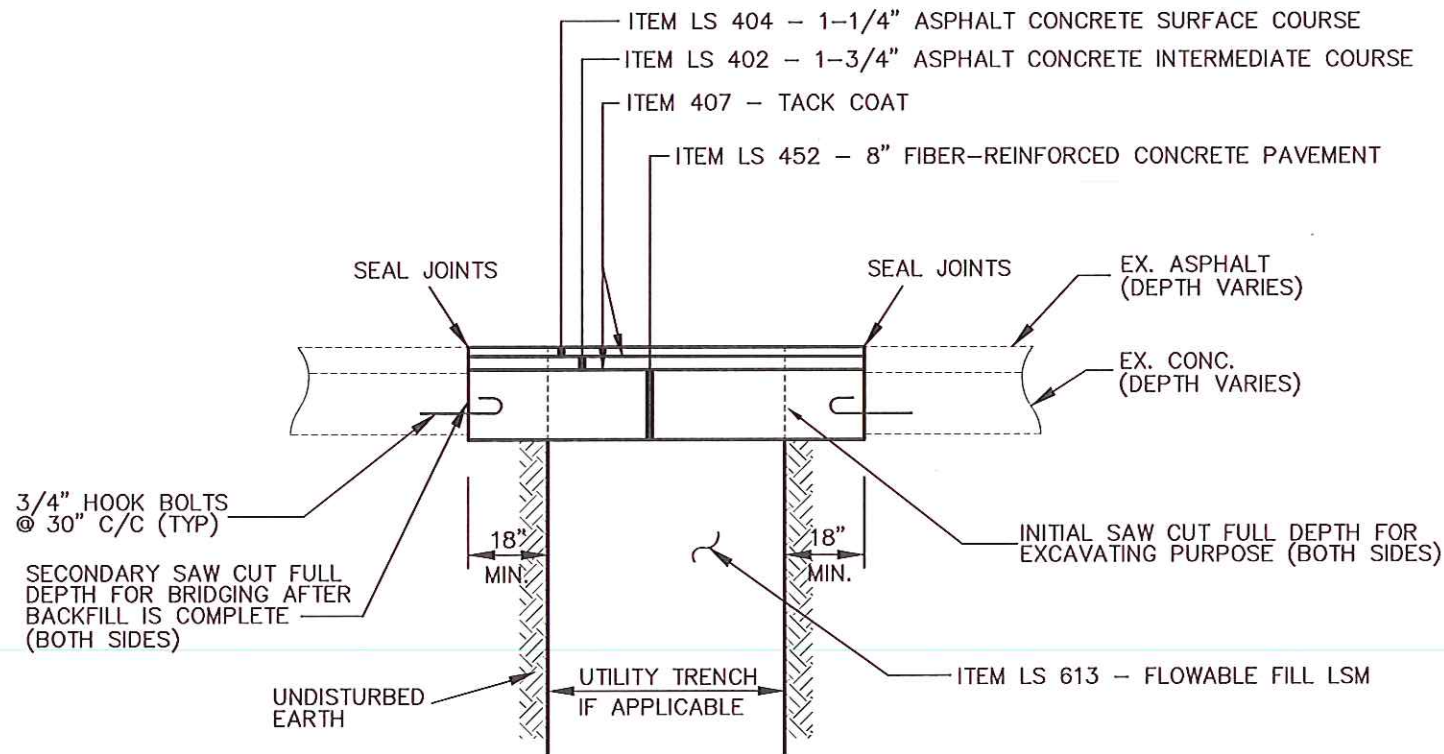


ASPHALT PAVEMENT



CONCRETE PAVEMENT



**ASPHALT OVER
CONCRETE BASE PAVEMENT**

NOTES:

1. CONTRACTOR SHALL SAW CUT ALL EDGES AND REMOVE ALL EXISTING PAVEMENT MATERIALS, INCLUDING DOWELS AND REINFORCING MAT, TO THE LIMITS INDICATED ON THE PLAN OR AS DIRECTED BY THE ENGINEER, AND AT ALL TIMES A MINIMUM OF 6-INCHES BEYOND THE LIMITS OF THE DETERIORATED PAVEMENT.
2. SURFACES OF THE REPAIR AREA SHALL BE CLEANED TO THE SATISFACTION OF THE ENGINEER.
3. ALL SURFACES THAT WILL BE IN CONTACT WITH ASPHALT SHALL BE FIRST COATED WITH TACK COAT AS PER ITEM LS 401.
4. INSTALL ITEM 401 (6-INCHES MIN.) AND ITEM LS 402 OR ITEM LS 404 AS REQUIRED TO MATCH THE PLANED SURFACE.
5. SECONDARY SAW CUT REQUIRED ONLY FOR UTILITY TRENCH REPAIRS.

CITY OF LAKEWOOD, OHIO		DATE
MARK PAPKE, PE, CPESC CITY ENGINEER		04-13-2015
REVISIONS:	02-11-11	
	01-31-14	
	04-13-15	
SCALE:	N.T.S.	
STANDARD DRAWING:	PAVEMENT REPAIR DETAILS	
NUMBER:	P-1	
1	1	