

FIGURE 602.10.6.3
METHOD PFG: PORTAL FRAME AT GARAGE DOOR OPENINGS IN SEISMIC DESIGN CATEGORIES A, B, AND C



DRU SILEY
DIRECTOR OF PLANNING & DEVELOPMENT
216/529-6634

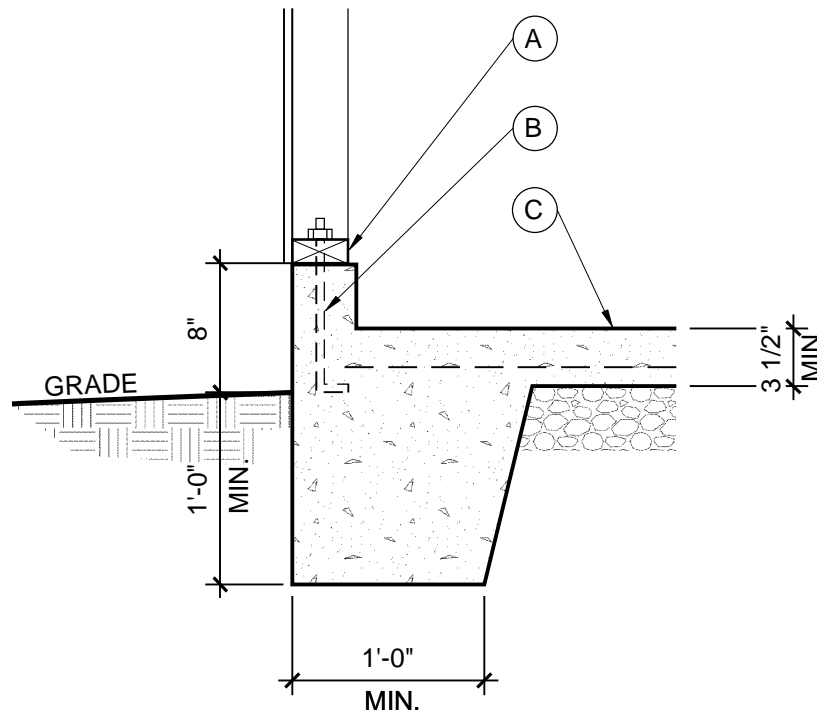
MICHAEL MOLINSKI, R.A.
CITY ARCHITECT
216/529-6279

JOSEPH MEYERS
ASSISTANT BUILDING COMMISSIONER
216/529-6293

DIVISION OF HOUSING AND BUILDING

12650 DETROIT AVENUE • LAKEWOOD, OHIO 44107 • 216/529-6270 • FAX 216/529-5930

Website: www.onelakewood.com



(X) **Drawing Notes**

- A. PRESERVATIVE TREATED WOOD SILL PLATE WITHIN 8" OF GRADE. NOTE: ALL WOOD WITHIN 8" OF GRADE REQUIRED TO BE PRESERVATIVE TREATED.
- B. 1/2" MIN. DIAMETER ANCHOR BOLTS EMBEDDED IN CONCRETE 7" MIN. GALVANIZED OR OTHER APPROVED CORROSION RESISTANCE, SPACED AT 6'-0" O.C. MIN. AND NOT MORE THAN 12" FROM END OR LESS THAN 7 BOLT DIAMETERS. PROVIDE TWO BOLTS PER PLATE MINIMUM.
- C. CONCRETE SLAB WITH WIRE MESH OVER POROUS FILL. SLOPE TO DOOR OR PROVIDE DRAIN.

**SHALLOW
GARAGE
FOUNDATIONS**

RCO 403.1.4.1 EXCEPTION 1: FROST PROTECTION IS NOT REQUIRED FOR FREESTANDING ACCESSORY STRUCTURES WITH AN AREA OF 600 SQUARE FEET OR LESS, OF LIGHT-FRAME CONSTRUCTION WITH AN EAVE HEIGHT OF 10 FEET OR LESS.